

PDX-RDS2, PDX-RDS4 Power Data Wiring Box— INSTALLATION INSTRUCTIONS

CAUTION: BEFORE CONNECTING THE LUMINAIRE TO A POWER SUPPLY, MAKE SURE THE POWER IS SWITCHED OFF.



DETAILED ILLUSTRATION

PDX-RDS2

GENERAL:

1. Before starting the installation, make sure all electricity has been turned off and electrical breaker has been locked out and tagged out.
2. To ensure the success of the installation, be sure to read these instructions and review the diagrams thoroughly before beginning.
3. All electrical connections must be in accordance with local codes, ordinances, or the National Electrical Code.

NOTE: The important safeguards and instructions appearing in this manual are not meant to cover all possible conditions and situations that may occur.

INSTALLATION:

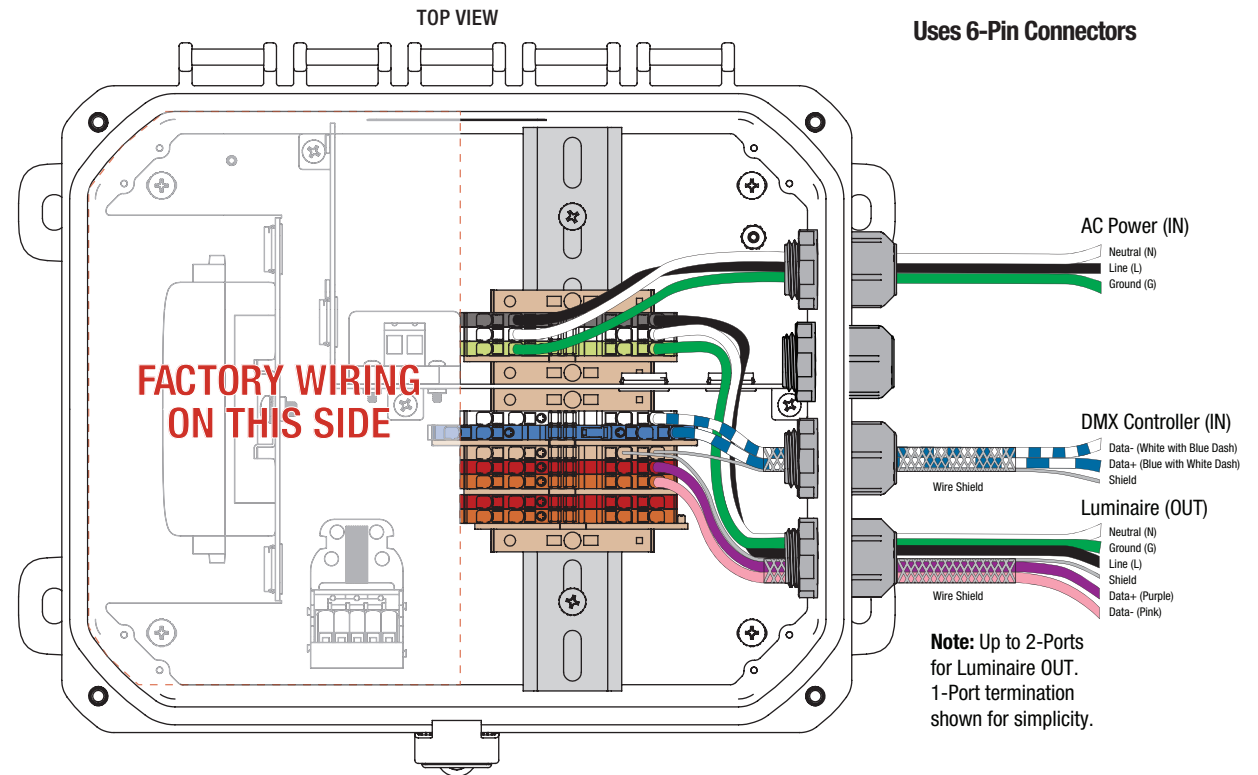
1. Follow wiring diagram to complete proper wiring.

Power Data Wiring Box with 2-Port Splitter for ColourLine Lazer Series

Products Include:

ColourLine Lazer Wet (**CLZWET**)
ColourLine Lazer Flood (**CLZF**)
ColourLine Lazer Micro (**CLZMF**)
ColourLine Direct View Linear (**SSL-DV**)

Uses 6-Pin Connectors



PDX-RDS2, PDX-RDS4 Power Data Wiring Box— INSTALLATION INSTRUCTIONS

CAUTION: BEFORE CONNECTING THE LUMINAIRE TO A POWER SUPPLY, MAKE SURE THE POWER IS SWITCHED OFF.



DETAILED ILLUSTRATION

PDX-RDS2

GENERAL:

1. Before starting the installation, make sure all electricity has been turned off and electrical breaker has been locked out and tagged out.
2. To ensure the success of the installation, be sure to read these instructions and review the diagrams thoroughly before beginning.
3. All electrical connections must be in accordance with local codes, ordinances, or the National Electrical Code.

NOTE: The important safeguards and instructions appearing in this manual are not meant to cover all possible conditions and situations that may occur.

INSTALLATION:

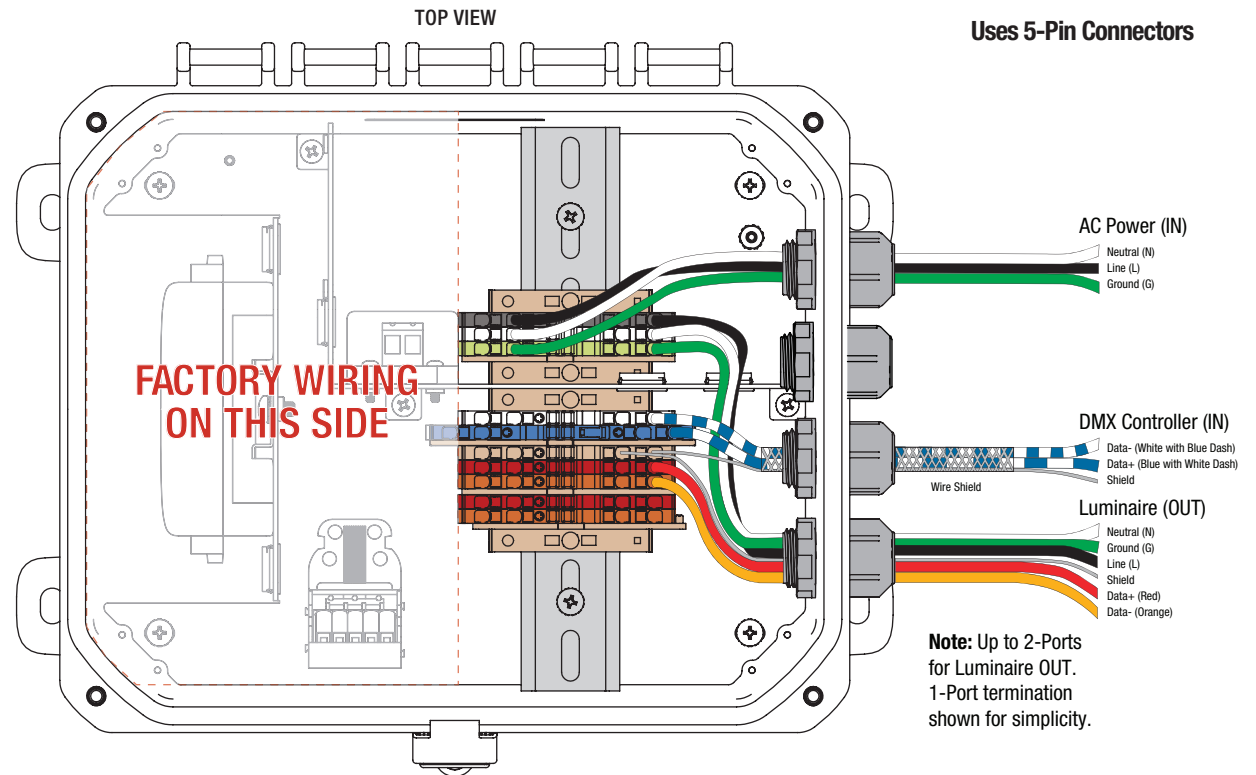
1. Follow wiring diagram to complete proper wiring.

Power Data Wiring Box with 2-Port Splitter for ColourLine Series

Products Include:

ColourLine Cove (CLCV)
ColourLine Graze (CLGR)
ColourLine Wet (CLWET)
SSF2100 Series RGBW Floods

Uses 5-Pin Connectors



PDX-RDS2, PDX-RDS4 Power Data Wiring Box— INSTALLATION INSTRUCTIONS

CAUTION: BEFORE CONNECTING THE LUMINAIRE TO A POWER SUPPLY, MAKE SURE THE POWER IS SWITCHED OFF.



DETAILED ILLUSTRATION

PDX-RDS2

GENERAL:

1. Before starting the installation, make sure all electricity has been turned off and electrical breaker has been locked out and tagged out.
2. To ensure the success of the installation, be sure to read these instructions and review the diagrams thoroughly before beginning.
3. All electrical connections must be in accordance with local codes, ordinances, or the National Electrical Code.

NOTE: The important safeguards and instructions appearing in this manual are not meant to cover all possible conditions and situations that may occur.

INSTALLATION:

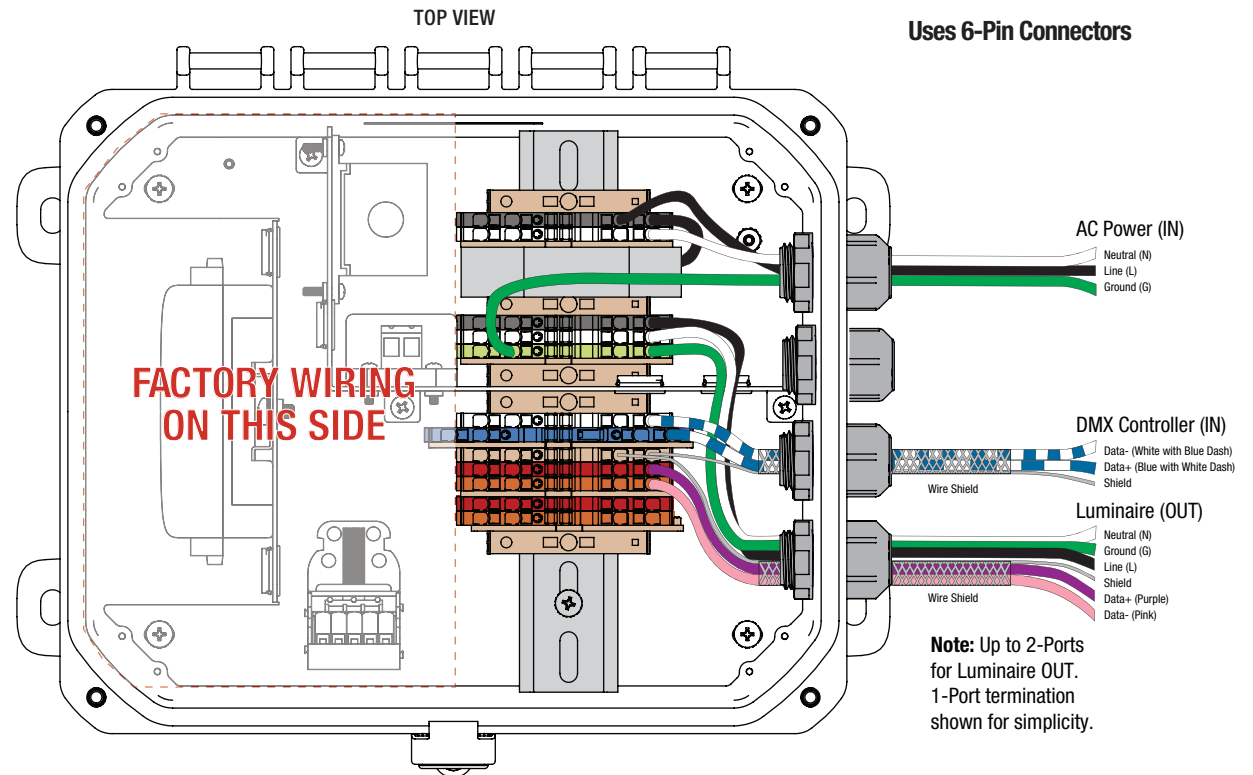
1. Follow wiring diagram to complete proper wiring.

Power Data Wiring Box 2-Port Splitter with AC Surge Protector for ColourLine Lazer Series

Products Include:

ColourLine Lazer Wet (**CLZWET**)
ColourLine Lazer Flood (**CLZF**)
ColourLine Lazer Micro (**CLZMF**)
ColourLine Direct View Linear (**SSL-DV**)

Uses 6-Pin Connectors



PDX-RDS2, PDX-RDS4 Power Data Wiring Box— INSTALLATION INSTRUCTIONS

CAUTION: BEFORE CONNECTING THE LUMINAIRE TO A POWER SUPPLY, MAKE SURE THE POWER IS SWITCHED OFF.



DETAILED ILLUSTRATION

PDX-RDS2

GENERAL:

1. Before starting the installation, make sure all electricity has been turned off and electrical breaker has been locked out and tagged out.
2. To ensure the success of the installation, be sure to read these instructions and review the diagrams thoroughly before beginning.
3. All electrical connections must be in accordance with local codes, ordinances, or the National Electrical Code.

NOTE: The important safeguards and instructions appearing in this manual are not meant to cover all possible conditions and situations that may occur.

INSTALLATION:

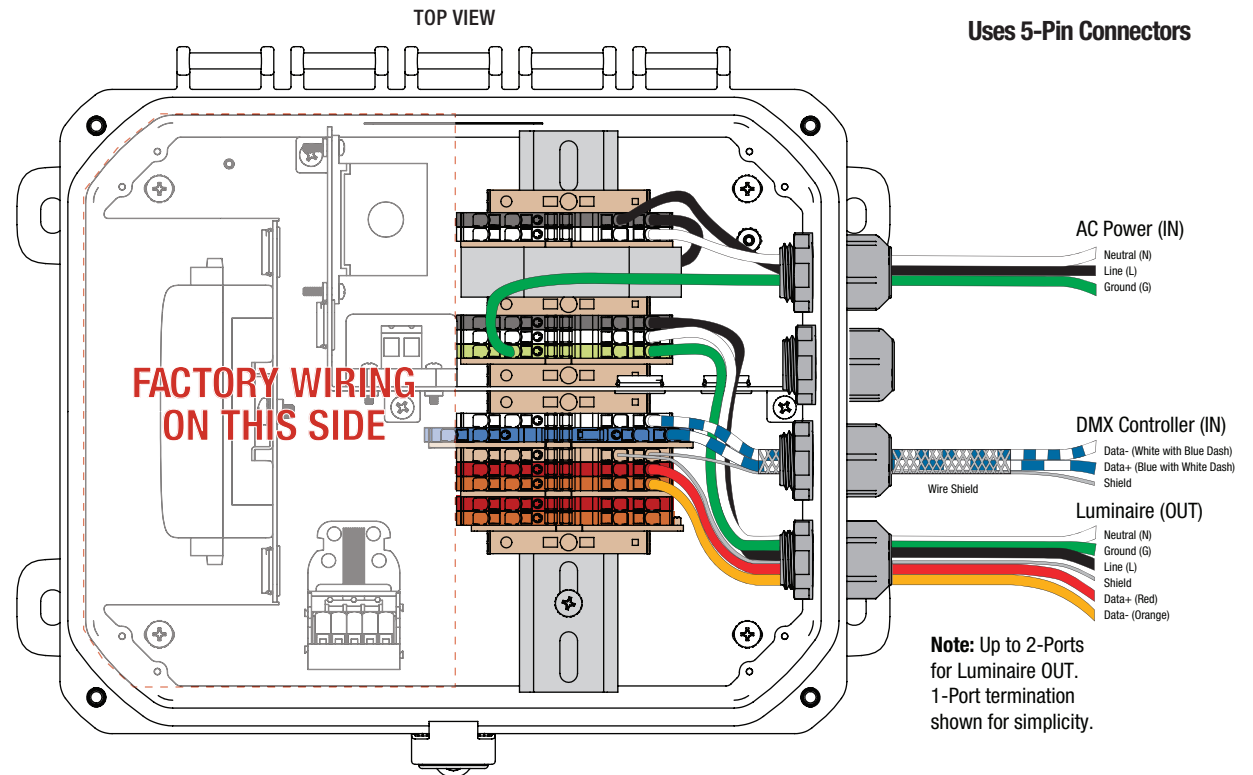
1. Follow wiring diagram to complete proper wiring.

Power Data Wiring Box 2-Port Splitter with AC Surge Protector for ColourLine Series

Products Include:

ColourLine Cove (CLCV)
ColourLine Graze (CLGR)
ColourLine Wet (CLWET)
SSF2100 Series RGBW Floods

Uses 5-Pin Connectors



PDX-RDS2, PDX-RDS4 Power Data Wiring Box— INSTALLATION INSTRUCTIONS

CAUTION: BEFORE CONNECTING THE LUMINAIRE TO A POWER SUPPLY, MAKE SURE THE POWER IS SWITCHED OFF.



DETAILED ILLUSTRATION

PDX-RDS4 (with S4 options)

GENERAL:

1. Before starting the installation, make sure all electricity has been turned off and electrical breaker has been locked out and tagged out.
2. To ensure the success of the installation, be sure to read these instructions and review the diagrams thoroughly before beginning.
3. All electrical connections must be in accordance with local codes, ordinances, or the National Electrical Code.

NOTE: The important safeguards and instructions appearing in this manual are not meant to cover all possible conditions and situations that may occur.

INSTALLATION:

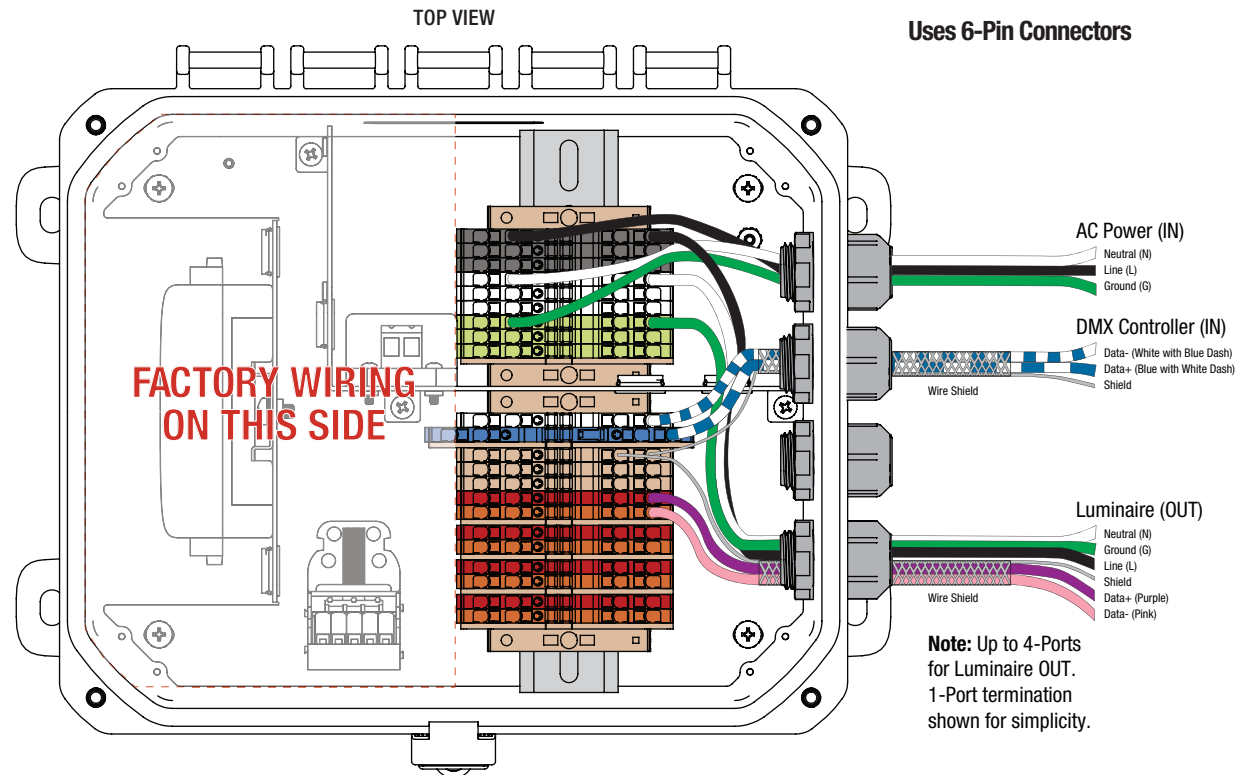
1. Follow wiring diagram to complete proper wiring.

Power Data Wiring Box 4-Port Splitter for ColourLine Lazer Series

Products Include:

ColourLine Lazer Wet (**CLZWET**)
ColourLine Lazer Flood (**CLZF**)
ColourLine Lazer Micro (**CLZMF**)
ColourLine Direct View Linear (**SSL-DV**)

Uses 6-Pin Connectors



PDX-RDS2, PDX-RDS4 Power Data Wiring Box— INSTALLATION INSTRUCTIONS

CAUTION: BEFORE CONNECTING THE LUMINAIRE TO A POWER SUPPLY, MAKE SURE THE POWER IS SWITCHED OFF.



DETAILED ILLUSTRATION

PDX-RDS4 (with S4 options)

GENERAL:

1. Before starting the installation, make sure all electricity has been turned off and electrical breaker has been locked out and tagged out.
2. To ensure the success of the installation, be sure to read these instructions and review the diagrams thoroughly before beginning.
3. All electrical connections must be in accordance with local codes, ordinances, or the National Electrical Code.

NOTE: The important safeguards and instructions appearing in this manual are not meant to cover all possible conditions and situations that may occur.

INSTALLATION:

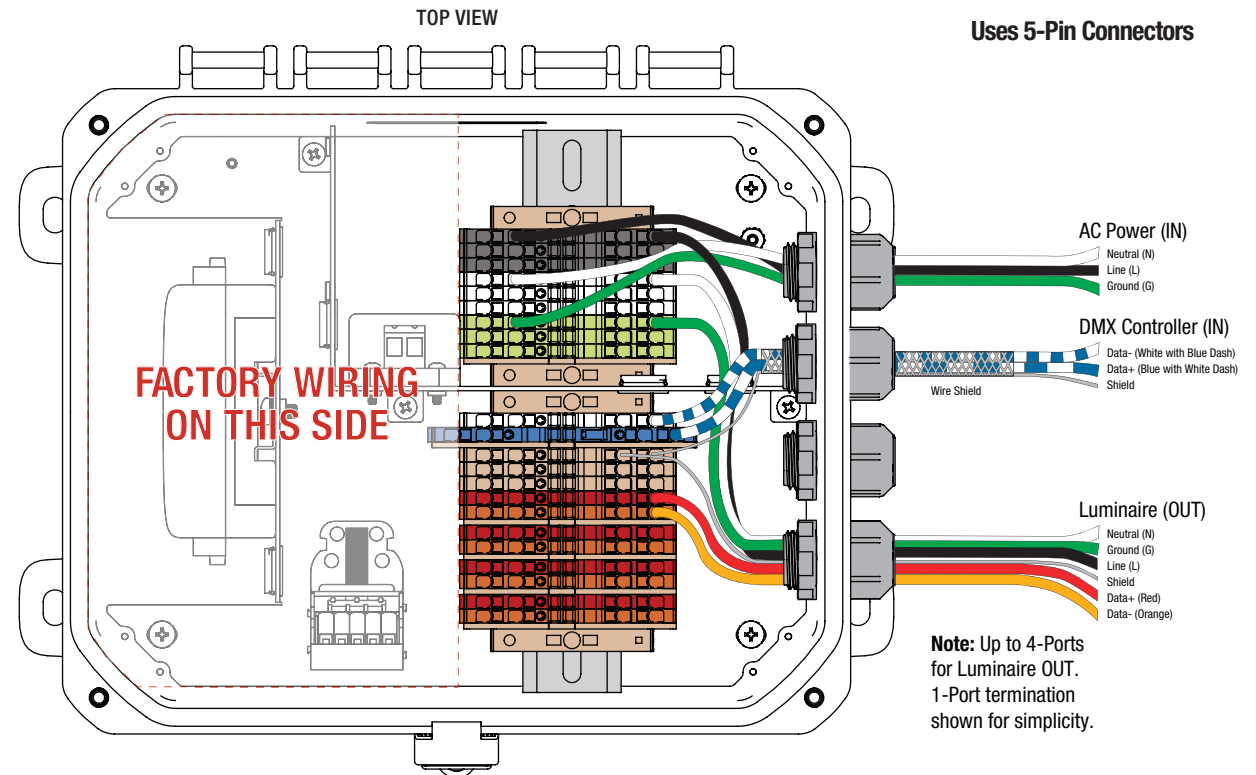
1. Follow wiring diagram to complete proper wiring.

Power Data Wiring Box 4-Port Splitter for ColourLine Series

Products Include:

ColourLine Cove (**CLCV**)
ColourLine Graze (**CLGR**)
ColourLine Wet (**CLWET**)
SSF2100 Series RGBW Floods

Uses 5-Pin Connectors



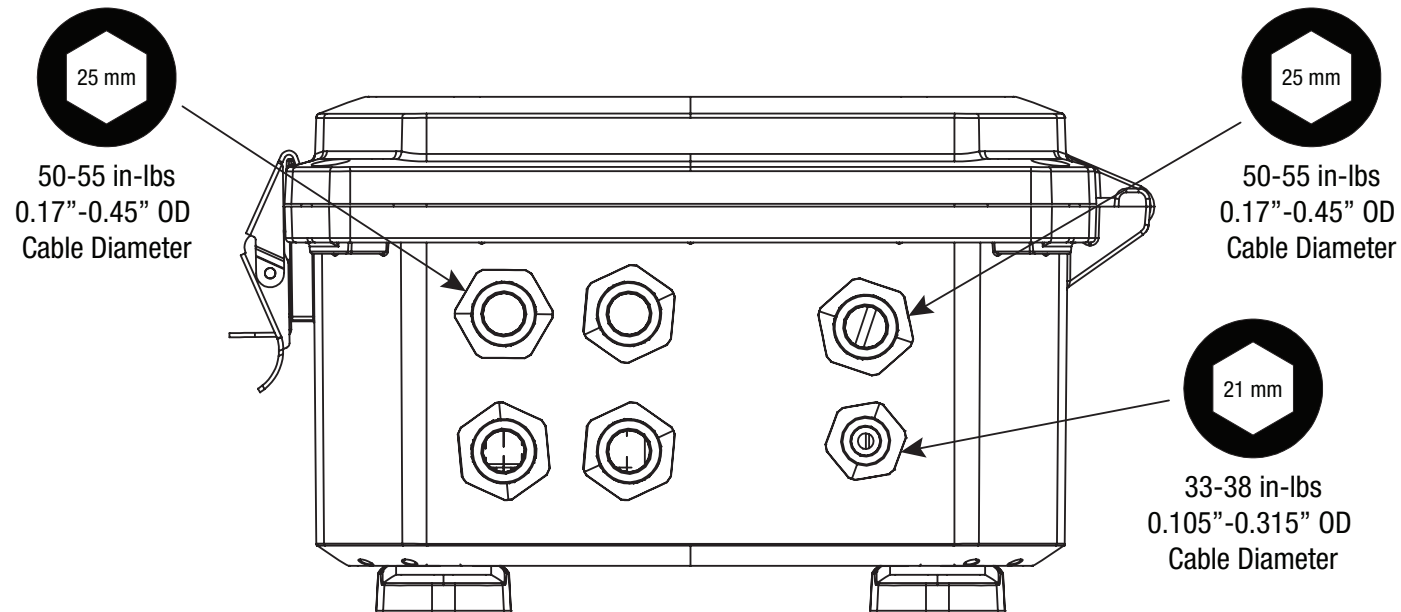
PDX-RDS2, PDX-RDS4 Power Data Wiring Box— INSTALLATION INSTRUCTIONS

CAUTION: BEFORE CONNECTING THE LUMINAIRE TO A POWER SUPPLY, MAKE SURE THE POWER IS SWITCHED OFF.



DETAILED ILLUSTRATION

Strain-Relief Torque Specifications



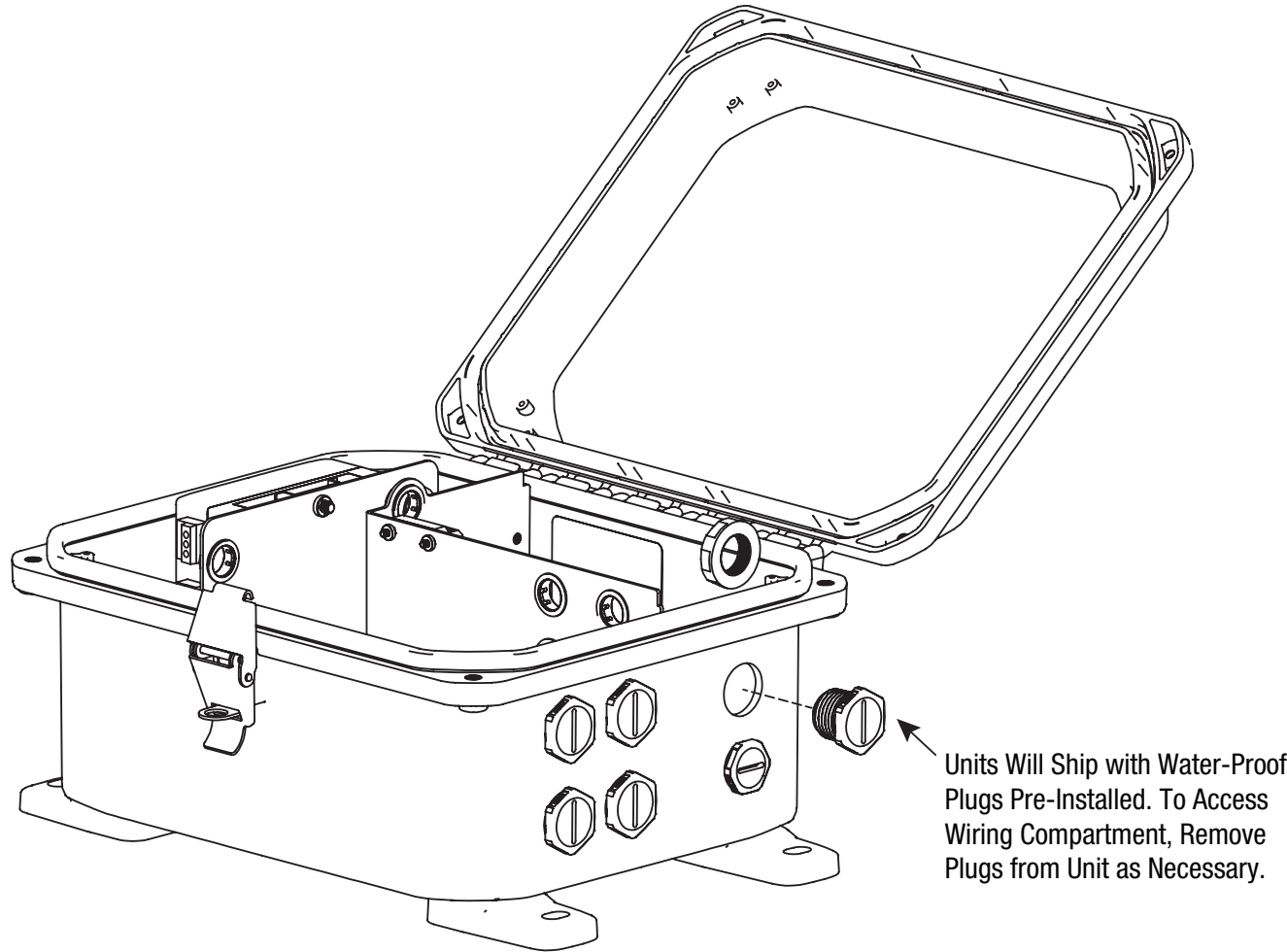
NOTE: Failure to properly torque watertight strain-reliefs can result in water ingress. Do not install in locations prone to flooding. For ease of maintenance, mount in locations easily accessible

PDX-RDS2, PDX-RDS4 Power Data Wiring Box— INSTALLATION INSTRUCTIONS

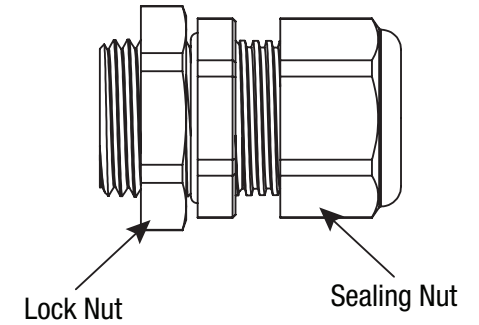
CAUTION: BEFORE CONNECTING THE LUMINAIRE TO A POWER SUPPLY, MAKE SURE THE POWER IS SWITCHED OFF.



DETAILED ILLUSTRATION



WATERTIGHT CORD GRIP



PDX Boxes Will Come with Several Watertight Cord Grips Included. Failure to Properly Install Cord Grips Can Result in Voided Warranty.

PDX Box	Number of Watertight Cord Grips Included
PDX-RDS2	5
PDX-RDS2-ACP	5
PDX-RDS4	6

Cord Grip Component	Torque
Lock Nut	45 in-lbs
Sealing Nut	55 in-lbs